

Cover for Holder OGD, OGD-SMD



4W/10A

**Standards**

- IEC 60127-6
- UL 4248-1 / UL 512
- CSA C22.2 no. 39

Approvals

- VDE Certificate Number: 4008993
- UL File Number: E39328

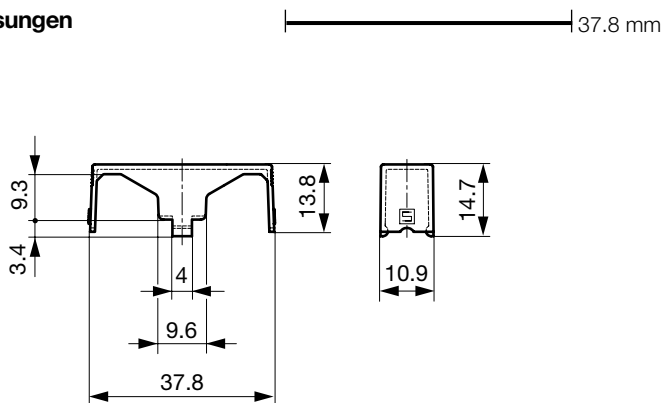
ReferencesFits to type: [OGD](#); [OGD-SMD](#)**Weblinks**

[pdf](#), [html](#), [General Product Information](#), [Approvals](#), [RoHS](#), [CHINA-RoHS](#), [e-Shop](#), [SCHURTER-Stock-Check](#), [Distributor-Stock-Check](#)

Technical Data

Fuse-Link	6.3 x 32mm
Rated Power Acceptance IEC	4W / 10A @ Ta 23°C
Admissible Ambient Air Temp.	-40°C to 85°C
Material: Cover	Thermoplastic UL 94V-0
Storage Conditions	0°C to 60°C, max. 70% r.h.

Soldering Methods	Reflow, Wave
Solderability	245°C / 3sec acc. to IEC 60068-2-20, Test Td
Resistance to Soldering Heat	260°C / 10sec acc. to IEC 60068-2-20, Test Td

Abmessungen**Variants**

Description	Order Number
Reflow-Cover	0853.0917

Packaging Unit

Bulk (100 pcs.)